

**DISCOUNT
BLIND
CENTRE**

ROLLER BLINDS MEASURING & FITTING GUIDE



GENERAL INFORMATION

- All measurements should be width first followed by the drop.
- Drop measurement is from top of headrail to underside of bottom bar.
- Use a steel tape measure and measure to the nearest 1mm.
- Don't be surprised if your windows aren't perfectly square.
- Measure all windows even if they appear to be the same size.
- Decide whether you want your blinds installed within the window opening (inside the recess, see page 3) or on the wall/trim (blind size, see page 3). If your window is a recess most people use an inside mount for a neater look, but make sure you have enough depth to allow the product to fit. Use an outside mount when your opening is too shallow or when your window is significantly out of square.
- Always look for obstacles like window handles, tiles and telephone sockets and take their position into account if necessary.
- Our blinds can be fitted to the face of the window frame or wall or into the lintel - giving you complete control over the positioning of your blind.
- We will custom-make your blinds to sizes you provide. If these sizes are incorrect it is not possible to change your blind since it is tailor-made for you. Take your time to double-check measurements.

MEASURING GUIDE

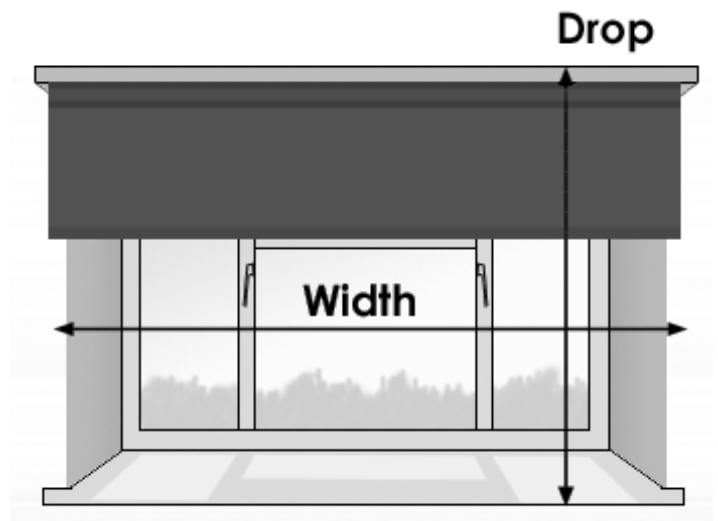
ROLLER BLINDS

WHEN ORDERING YOUR BLINDS YOU HAVE THREE FITTING OPTIONS AVAILABLE

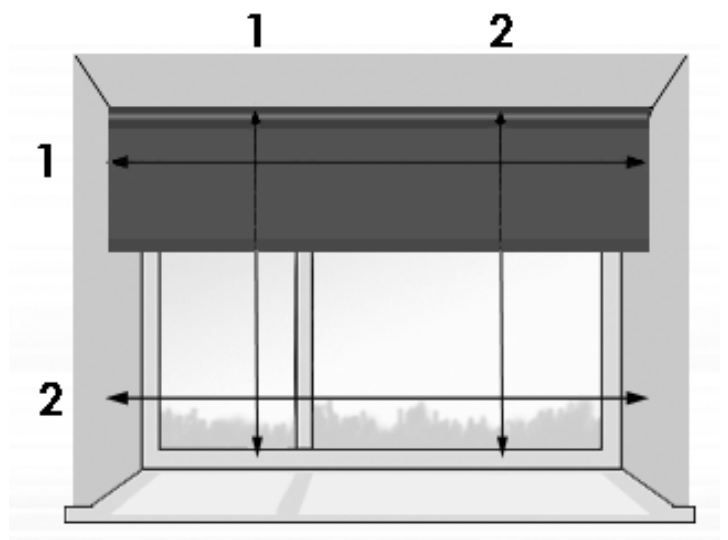
Fitting Option: 'Blind Size' You supply us with the exact width & drop measurements for where you would like the blind to cover, making allowance for bracket fixings. The width & drop of the blind specified by you will be overall blind size and will be made exactly to the size specified with no allowance made by us. Please note that width of fabric will be 35mm narrower than the overall blind size.

Fitting Option: 'Recess Size' Supply us with the width and height of the recess exactly. We will deduct 5mm from the width to allow the blind to fit. It is advisable to measure the width in several places and you should of course quote the minimum width. Please note that width of fabric will be 35mm narrower than the overall size.

Fitting Option: 'Fabric Size' Supply us with the width and height of the area you would like the fabric to cover exactly. It is advisable to measure the width in several places and you should of course quote the minimum width. Please note that the overall width of the blind will be 35mm wider than the fabric to allow for brackets.



Blind Size



Recess Size

FITTING GUIDE

ROLLER BLINDS

FITTING YOUR BLIND

Important: Brackets should be fixed a sufficient distance from the window to allow the lowered blind to clear handles or other obstructions.

Brackets (fig 1)

Brackets are for face, side or top fixing and may be fitted inside or outside the window recess depending on your requirements.

We Suggest The Following Fixing Methods:

Inside the window recess, face fitting (fig 2)

Position the top screw a minimum distance of 15mm from the top of the recess.

Inside the recess, side fitting (fig 3)

Position the top screw 15mm from the top of the recess.

Inside the recess, top fitting (fig 4)

Position the first screw 15mm from the window recess.

NB. These are suggested minimum sizes, and should be increased accordingly for blinds with longer drops, thicker fabrics or larger friction units.

Outside the window recess, face fitting only.

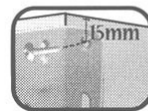
Where the blind is fitted outside the window recess, position the brackets so that the blind overlaps the window evenly on each side (100mm/4" is normal).

Fixing into wood: 19mm (0.75") No.8 flange head screws are recommended.

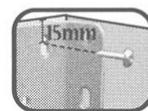
Concrete, brick, plaster etc: Use masonry plugs and screws of an appropriate length, eg 32mm (1.25") No.8 flange head screws to obtain a secure fixing.



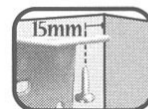
(fig 1)



(fig 2)



(fig 3)



(fig 4)

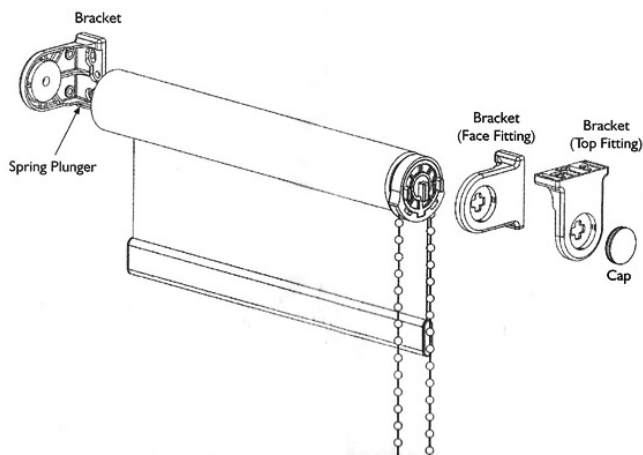
FITTING GUIDE

ROLLER BLINDS WITH SIDE CONTROL CHAIN

FITTING THE BRACKETS

Please note screws are **NOT** included. The bracket positions illustrated are for a blind with the control chain on the right hand side of the blind. For a blind with the control chain on the left, the brackets should be at the opposite ends. Brackets can be fixed to any flat surface above or behind the blind. They must be level to ensure the smooth operation of the blind. Check that rolled up fabric will not touch any surface. To calculate the spacing between the brackets, add 35mm (1³/₈"") to the width of the blind fabric. Fix the brackets so that the **outsides** of the brackets are this distance apart.

Fig 1.



FITTING THE BLIND

Hold the blind to the brackets with fabric hanging from the back of the blind. Fit the spring plunger into the bracket. Push the blind into this bracket, depressing the plunger. With the locating hook pointing downwards, place the hook into the vertical part of the '+' shaped hole in the bracket. Allow the hook to drop downwards so that it locks into place in the bracket.

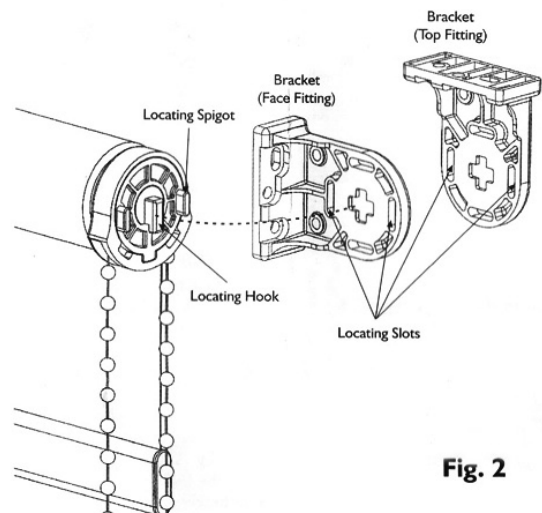


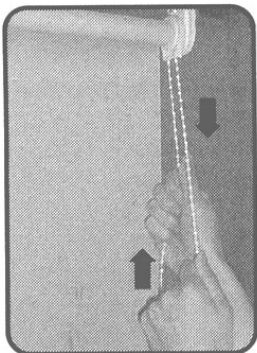
Fig. 2

OPERATION & CARE

ROLLER BLINDS

OPERATING YOUR BLIND

The blind will have been made for left or right hand control and the brackets should be fitted accordingly. Place the blind into the brackets as shown. Tensioning is not necessary. The blind is now ready to operate. Pull the chain down to raise or lower the blind to the desired height. It will remain in that position automatically. **(fig 5)**



(fig 5)

CARING FOR YOUR BLIND

Do not oil or grease the mechanism. A jammed spring may be released by gripping the flat pin end with pliers and carefully turning clockwise the releasing. When fitting and replacing the blind ensure the fabric is fully wound up.

Dirty marks may be removed by wiping with a slightly moistened cloth, using a mild detergent/warm water mixture.